

LTMP line

Applications

Traction circuit configuration change in multi-system locos

Isolation of power converter

Isolation of traction motors

Modular Multipole-Multiposition Off-Load Disconnecter with Binary Control Option

Main Features of each Pole:

- 2 versions: 1000 or 2000 A thermal current
- 3 configurations: NO or NO+NC or CO
- Integrated control device for command logic
- Fully modular construction, up to 12 poles
- Visual indication of pole status
- Maintenance-free

Main Features Control:

- Electric motor actuated
- Electronic control of poles positions
- Virtually infinite combinations of poles positions
- Predetermined positions accessed sequentially or by dedicated control signal

Options:

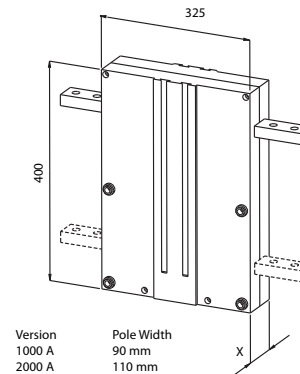
- Binary control code module (No. of digits = No. of poles)

Switches

Technical Data

Rated Voltage (Un)	3000 V	
Rated Max Voltage (Umax)	4000 V	
Insulation Reference Voltage (Ui)	4000 V	
Rated Operational Current (Ie)	1000 A	2000 A
Rated Short Circuit Withstand for 15ms (Icc)	160 kA	220 kA
Rated Breaking Current at 4000V _{DC}	400mA	
Position Change Time at Uc	Max 5 sec	
Mechanical Endurance	> 500'000 operations	
Contact Opening Distance	> 40mm	
Dielectric Test Voltage	HV to ground 12000V Aux to ground 2000V Bwn open contacts 9500V	
Auxiliary Contacts (type SJ 11)	1NO+1NC per pole	
Control Module Weight	5 kg	
NO Pole Weight (per pole)	6.2 kg	7 kg
CO Pole Weight	7.5 kg	8.5 kg
NO-NC Pole Weight	8.2 kg	9 kg
Operating Temperature Range	-50°C ÷ +85°C	
Control Voltage (Uc)	24 / 72 / 110 V _{DC}	
Control Voltage Working Range at +85°C	± 30%	
Absorbed Power at 20°C and Uc	Max 150W	

Dimensions



Pole Configuration

